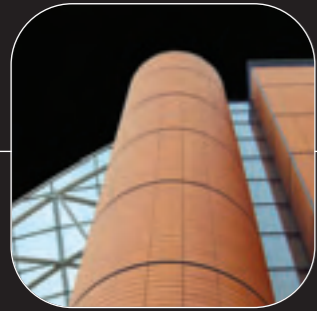




# FIRE STOP PRODUCTS



# FIRE STOP PRODUCTS

## PFC Corofil Firestops

For over 40 years PFC Corofil, has led the way in passive fire protection – in fact, we invented the concept. Our products help maintain the safety of public, private, commercial and historic buildings worldwide.

Today, PFC Corofil continues to be a leader in the research and development of technological and innovative products for passive fire containment, bringing superior products to a fast and ever evolving market.

PFC Corofil also offers a wide range of Linear Gap Seals, Cavity Barriers and other Firestop or Acoustic solutions.

As innovative manufacturers we are continuously adding to our range, meeting the needs of a highly demanding market. For more information, visit our website or call us on [+44 \(0\) 208 391 0533](tel:+442083910533).

[www.pfc-corofil.com](http://www.pfc-corofil.com)

## Sealants

Acoustic Intumescent Sealant	6
Fire Rated Silicone Sealant	8
PFC Corofil Intumescent Silicone Putty	9



## Service Penetrations

Firestop Compound	12
Coated Panel System	14
C300P - Intumescent Pillows	16
Insulated Fire Sleeves	18



## Plastic Pipework

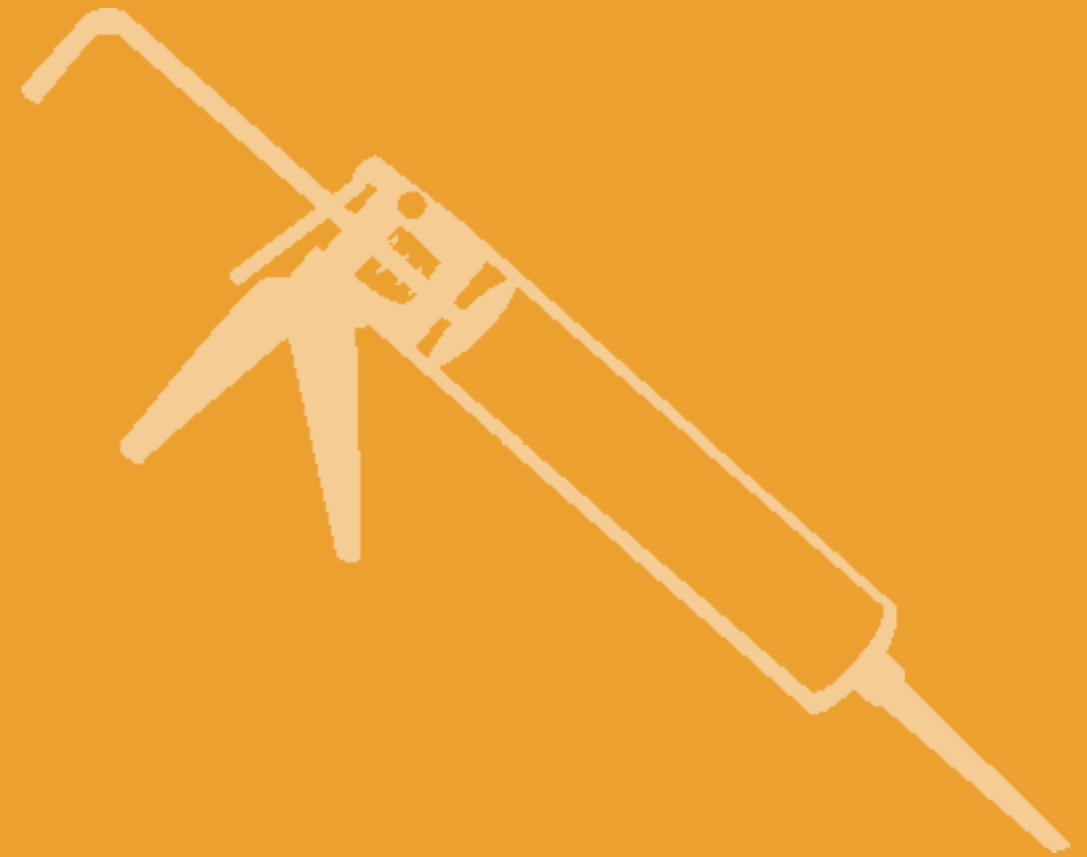
Firestop Collars	20
Intumescent Pipe Wraps	22





# Sealants

Products to fill small irregular gaps and holes caused by imperfections of fit between walls and other elements of structure.



# Acoustic Intumescent Sealant

PFC Corofil Acoustic Intumescent Sealant is suitable for sealing joints and service penetrations in fire walls, partitions, fire rated door frames and glazing systems. Tested to BS476 Parts 20 and 22, PFC Corofil Acoustic Intumescent Sealant provides up to 4 hours' fire protection in joints of up to 30mm wide. In addition to the fire rating the sealant may be used to seal joints in party walls to provide an acoustic seal.



PFC Corofil Acoustic Intumescent Sealant in blockwork joints



Acoustic Intumescent Sealant - Sealing around metal pipes

## Description

PFC Corofil Acoustic Intumescent Sealant is a high specification, one part water based acrylic sealant, extruded from a cartridge loaded into a standard sealant gun. The depth of the joint will depend on the gap to be filled and the fire rating required. (See Fire Rating)

All surfaces must be thoroughly clean and free of bond breaking contaminants prior to application of the sealant. No priming is required for most construction substrates; however, it is recommended that a small area be tested on substrates.

The sealant should not be applied if the ambient temperature is below 5°C as adhesion will be impaired. The sealant is fast curing approximately 15 minute tack free time. When fully cured the sealant is overpaintable.

## Fire Rating

Joint Size	Depth of Sealant	Integrity	Insulation	Backing	Type of Seal
10mm	10mm	240 mins	30 mins	PE Foam	Single
15mm	10mm	240 mins	30 mins	PE Foam	Single
20mm	15mm	240 mins	120 mins	PE Foam	Dual
20mm	20mm	240 mins	60 mins	C144 Firestrip	Single
30mm	15mm	240 mins	120 mins	PE Foam	Dual
30mm	15mm	240 mins	60 mins	C144 Firestrip	Single

C144 Firestop Strip (110 kg/m<sup>3</sup>)



**Building Regulations 2000 - Approved Document B - B2/3/4** – Internal fire spread (structure), paragraphs 0.10 – 0.11, state that the spread of fire inside a building can be restricted, by provisions for elements of structure to have a specified minimum period of fire resistance. Fire resistance is defined in terms of both integrity and insulation requirements when applied to fire separating elements.

## Acoustic Performance

Weighted Sound Reduction Index (R<sub>w</sub>) of up to 57db.

Please consult our sales office with details of:

- Type of construction
- Required acoustic rating
- Size of joint

## Smoke Seal

PFC Corofil Acoustic Intumescent Sealant will provide a smoke seal.

## Coverage

PFC Corofil Acoustic Intumescent Sealant is available in 310ml cartridges. One cartridge will provide the following coverage rates:

Joint Size	Depth of Sealant	Yield per cartridge
10mm	10mm	3.10 lin m
20mm	15mm	1.03 lin m
30mm	20mm	0.51 lin m

## Colours

White, grey and brown. Additional colours are available depending on quantity requirements.

## Specification

Install PFC Corofil Acoustic Intumescent Sealant to provide up to 4 hours' fire protection in all joints up to 30mm in all firewalls. Installation to be fully in accordance with manufacturer's instructions. See below for contact details.

## Technical Information

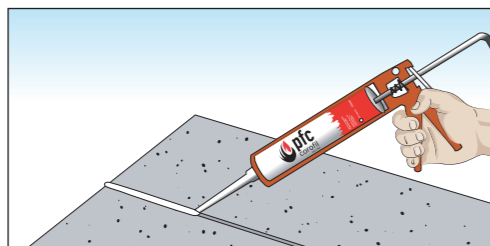
If you require any further technical information or help, please telephone **0208 391 0533** or email: [sales@pfc-corofil.com](mailto:sales@pfc-corofil.com). For further information relating to the installation and Health & Safety, please refer to the Acoustic Intumescent Sealant Installation Instructions.

## Product Codes

F02923	Acoustic Intumescent Sealant White 310ml
F02931	Acoustic Intumescent Sealant Grey 310ml
F02932	Acoustic Intumescent Sealant Brown 310ml

## Fire Rated Silicone Sealant

PFC Corofil Fire Rated Silicone Sealant is a one part alkoxy cure silicone which has excellent unprimed adhesion to most building surfaces and is designed to be used in areas where heat and fire resistance is required.



PFC Corofil Fire Rated Silicone Sealant.

PFC Corofil Fire Rated Silicone Sealant is a one part alkoxy cure silicone which has excellent unprimed adhesion to most building surfaces and is designed to be used in areas where heat and fire resistance is required.

PFC Corofil Fire Rated Silicone Sealant is a high specification, extruded from a cartridge loaded into a standard sealant gun. The depth of the joint will depend on the gap to be filled and the fire rating required. (See Fire Rating).

All surfaces must be thoroughly clean and free of bond breaking contaminants prior to application of the sealant. No priming is required for most construction substrates; however, it is recommended that a small area be tested on substrates. The sealant should not be applied if the ambient temperature is below 5°C as adhesion will be impaired.

### Coverage

PFC Corofil Fire Rated Silicone is available in 310ml cartridges. One cartridge will provide the following coverage rates:

Joint Size (mm)	Metres Per Litre
6 x 6	27.75
9 x 6	18.50
12 x 9	9.25
18 x 12	4.75
25 x 10	4.00

### Colours

White

### Specification

Install PFC Corofil Fire Rated Silicone Sealant to provide up to 4 hours fire protection in all joints up to 35mm. Installation to be fully in accordance with manufacturer's instructions. Quantity contained in cartridge is 310ml. anticipated self life is 25 years + correctly applied.

### Technical Information

If you require any further technical information or help, please telephone: **0208 391 0533** or email: [sales@pfc-corofil.com](mailto:sales@pfc-corofil.com). For further information relating to the installation and Health & Safety, please refer to the Fire Rated Sealant Installation Instructions.

### Product Code

F02901	Fire Rated Silicone White 310ml
--------	---------------------------------

### Fire Rating

Joint Size (mm)	Backing Material	Insulation	Integrity
10 x 10	Polyethylene Foam*	30 mins	240 mins
10 x 10	C144*	240 mins	240 mins
20 x 20	C144*	240 mins	240 mins
35 x 15	Polyethylene Foam*	95 mins	240 mins
35 x 15	C144*	123 mins	156 mins

\*Test incorporated seals and backing material on both faces of the construction.

[www.pfc-corofil.com](http://www.pfc-corofil.com)

## PFC Corofil Intumescent Silicone Putty

### Intumescent Silicone Putty

PFC Corofil Intumescent Silicone Putty can be used to form a water proof and fire resistant seal around pipe and cable penetrations. Tested to BS:EN 1366-3, the putty has been shown to provide up to a 4 hour fire rating.

- Easy to install
- Ideal for sealing around cables in electrical trunking
- No maintenance
- No smoke emission
- Easy to remove and reinstate for new services

### Description

PFC Corofil Intumescent Silicone Putty is a red, non-setting compound.

It can be cut and moulded between metal pipes and cable penetrations to plug holes in compartment walls and floors. PFC Corofil Intumescent Silicone Putty is particularly useful in sealing cable bunches in trays and electrical trunking. Due to its' non-setting nature it remains malleable, so it can easily be removed and replaced to accommodate the introduction and removal of future service runs.

In a fire, the putty intumesces to fill small gaps between services, but does not emit any hazardous smoke.

Before installing the putty, substrates must be thoroughly dry, clean and free of grease and other contaminants.

### Fire Rating

Up to 4 hour fire rating in floors and walls with metal pipes, steel electrical trunking and cables at a depth of 100mm.

### Packaging

PFC Corofil Intumescent Silicone Putty is packaged in 1kg tubs.

### Specification

Install PFC Corofil Intumescent Silicone Putty around cable trays and internally within metal electrical trunking. Installation to be fully in accordance with manufacturer's instructions.

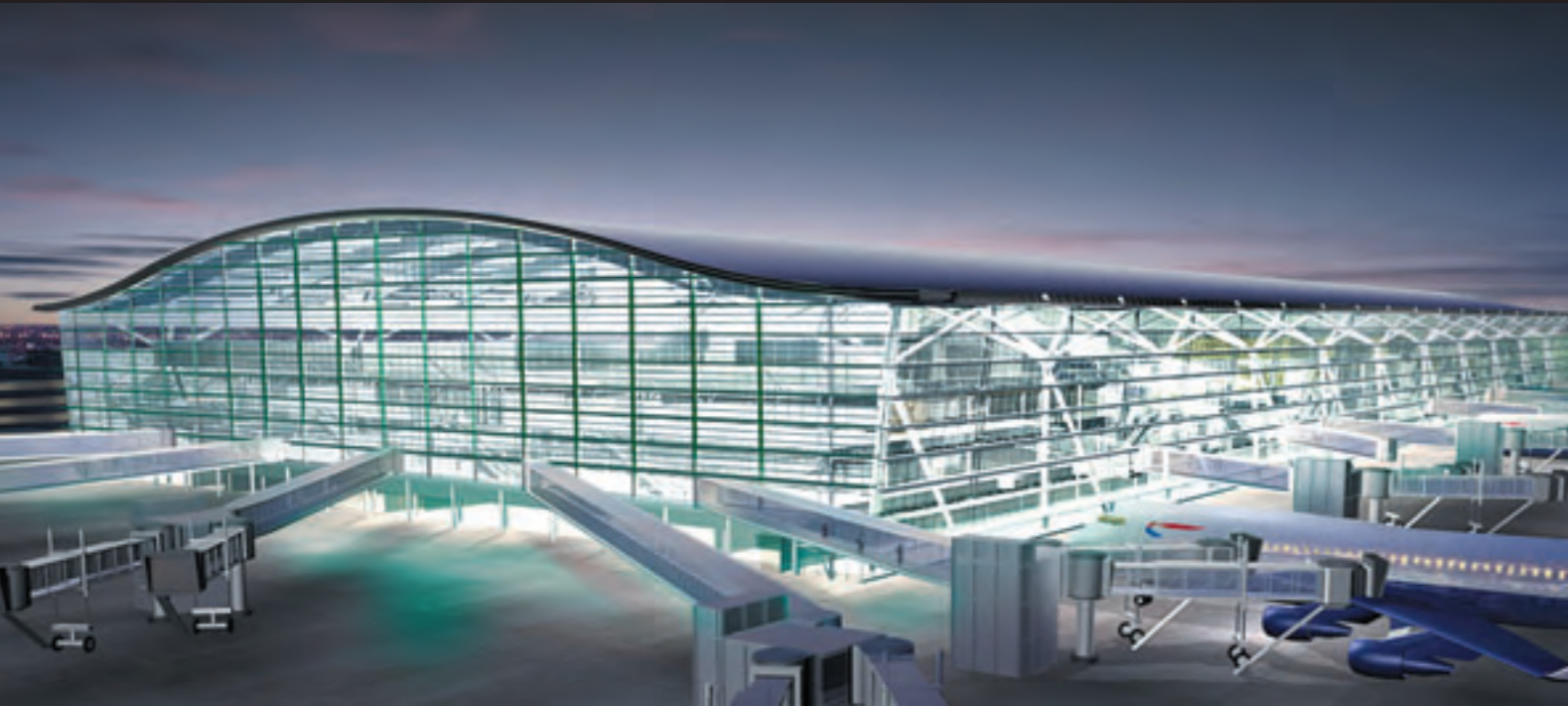
### Technical Information

If you require any further technical information or help, please telephone **0208 391 0533** or email: [sales@pfc-corofil.com](mailto:sales@pfc-corofil.com). For further information relating to the installation and Health & Safety, please refer to the Intumescent Silicone Putty Installation Instructions.

### Product Code

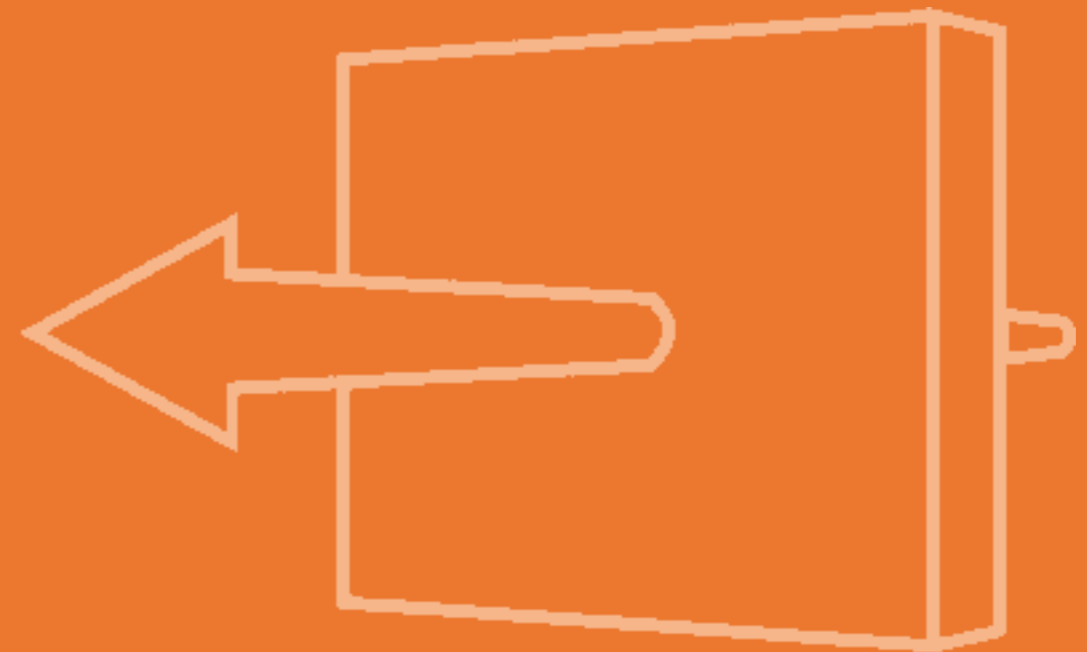
F02902	Intumescent Silicone Putty 1kg
--------	--------------------------------





# Service Penetrations

Products used to reinstate the fire rating of compartment walls and floors where electrical and mechanical services penetrate.

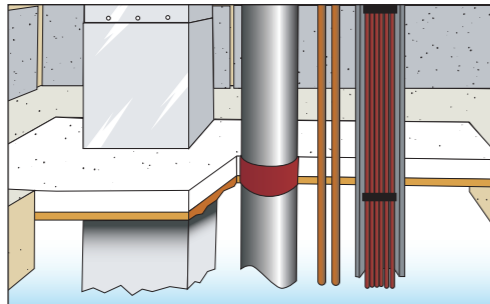


# Firestop Compound

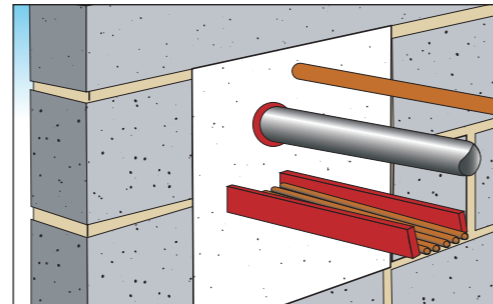
PFC Corofil Firestop Compound is used to provide a fire rated seal around service penetrations in fire rated walls and floors.

Tested to BS476 Part 20, Firestop Compound provides up to 6 hours fire protection.

- Smoke seal
- Good acoustic insulation
- Suitable for making good around most types of service penetrations
- Load bearing
- Simple installation
- No smoke emission
- Maintenance free
- Unaffected by humidity



PFC Corofil Firestop Compound poured onto permanent mineral fibre shutter in floor



PFC Corofil Firestop Compound trowelled into wall

## Description

Firestop Compound is a specially formulated gypsum based mortar, which is mixed with water to be trowelled or poured around service penetrations\*.

In floors, PFC Corofil permanent shutter panel (50mm) is cut and friction fitted between services and the edges of the floor slab. Firestop Compound is then trowelled over the shutter to a depth of 25mm thick.\* This is allowed to harden. The Firestop Compound is then mixed to a pouring grade and tops the seal up to the required depth.

In walls, Firestop Compound is mixed into a stiff consistency for trowelling into openings.\*

Firestop Compound sets in 30-45 minutes and is capable of accommodating foot traffic in approximately 72 hours.

\*Plastic pipework must be protected with either PFC Corofil Firestop Collars or Intumescent Pipe Wraps. (See data sheets)

## Fire Rating

Fire Rating in hours	Thickness of Compound
1 - 2	75mm
3 - 6	100mm

## Acoustic Performance

Thickness of Compound	Weighted Sound Reduction Index (Rw)
75mm	39db
100mm	46db
150mm	51db

## Coverage of Compound

Thickness of Compound	Number of Bags/m <sup>2</sup>
75mm	3.15
100mm	4.2
150mm	6.3

These are approximate calculations based on 22kg bags. The coverage does not take into account the percentage of the hole filled with services.

## Load Bearing Fire Seals

Thickness of Compound	Load Bearing Area Free of Services
75mm	500 x 500mm*
100mm	750 x 750mm*

The open area free of services: thickness of seal ratios for non-reinforced seals given above, allow an ample safety margin for normal foot traffic; e.g loads of two men plus equipment with a combined weight of up to 200kg.

\* As a further safety margin, we would recommend that all floor seals with clear areas of greater than 750mm x 750mm must be reinforced

\* Please contact our technical department for details.

## Specification

Install PFC Corofil Firestop Compound to provide 1,2,3 or 4 hour fire rating to all service penetrations through all fire rated walls and floors. Installation to be fully in accordance with manufacturer's instructions.

## Technical Information

If you require any further technical information or help, please telephone **0208 391 0533** or email: **sales@pfc-corofil.com**. For further information relating to the installation and Health & Safety, please refer to the Firestop Compound Installation Instructions.

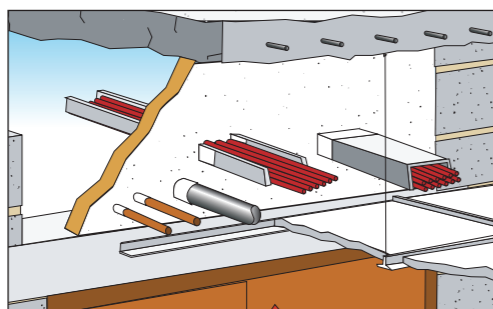
## Product Code

F02903	Firestop Compound 22kg
--------	------------------------

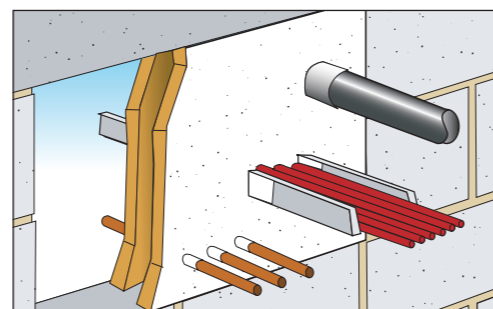
## Coated Panel System

PFC Corofil Coated Panel System is used to firestop mechanical and electrical services where they pass through fire rated walls. Tested to BS476 Parts 20 and 22, PFC Corofil Coated Panel System provides up to 4 hours' fire protection.

- Smoke seal
- Good acoustic insulation
- Simple installation
- Light weight
- Suitable to make good around most types of service penetrations
- Unaffected by humidity
- Maintenance free
- Low smoke emission



PFC Corofil Coated Panel fitted around service penetrations in bulkhead above fire door



PFC Corofil Coated Panels firestopping service penetrations in block walls

### Description

PFC Corofil Coated Panel System comprises three elements:

- PFC Corofil Coated Panel (1200mm x 600mm x 50mm)
- PFC Corofil Acoustic Intumescent Sealant
- PFC Corofil Fire Rated Coating

PFC Corofil Coated Panels are manufactured by spraying high-density rock fibreboard with a fire rated ablative coating.

The coated panels are simply cut and friction fitted between the services and the edges of the structure.\* The fire rated coating and Acoustic Intumescent Sealant are used as an adhesive to bond sections of panel together into a barrier and to the surrounding structure. All joints in the barrier are pointed in with Acoustic Intumescent Sealant to form a monolithic layer.

\*(Plastic pipework needs to be sleeved with PFC Corofil Fire Protection Collars prior to installation of the coated panel system.)

In plasterboard partitions, PFC Corofil Coated Panel System must be fitted to both sides of the wall to fire protect the studs.

For large floor openings we would advise using PFC Corofil Firestop Compound (see data sheet).

### Fire Rating

Construction Tested	Panel Configuration	Fire Rating	
		Integrity	Insulation
Block Wall	1 x 50 mm	4 hours	1 hour
Plasterboard Partition	2 x 50 mm	1 hour	19 mins

### Acoustic Performance

Weighted Sound Reduction Index (Rw) of up to 52db.

Please contact our sales office with details of:

- Wall construction
- Acoustic rating required

### Smoke Seal

PFC Corofil Coated Panel System will provide a smoke seal around services penetrating through compartment walls.

### Fibre Migration

PFC Corofil Coated Panel System will not allow fibre migration as all exposed edges of mineral fibre are encapsulated with an acrylic based polymer.

### Colour

White matt finish. Can be over painted if desired.

### Specification

Install PFC Corofil Coated Panel System to provide up to 4 hours' fire rating to all service penetrations passing through all fire rated walls. Installation to be fully in accordance with manufacturer's instructions.

### Technical Information

If you require any further technical information or help, please telephone **0208 391 0533** or email: [sales@pfc-corofil.com](mailto:sales@pfc-corofil.com). For further information relating to the installation and Health & Safety, please refer to the Coated Panel System Installation Instructions.

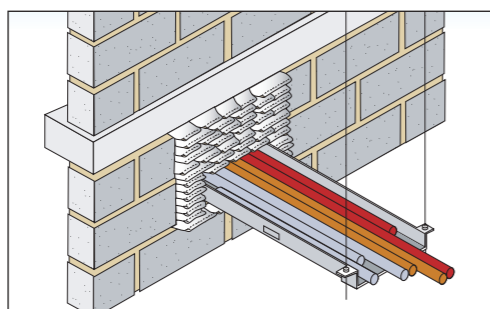
### Product Codes

F02924	Coated Panel 1200 x 600 x 50mm
F02925	Coated Panel 1000 x 600 x 60mm

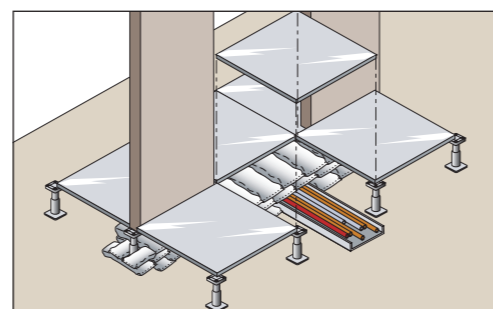
## C300P - Intumescent Pillows

PFC Corofil C300P Intumescent Pillows will provide up to 4 hours' fire protection to metal services and cables passing through compartment floors and walls.

- Simple to install
- Easy to remove and reinstate whilst changing services
- Maintenance free
- Dry System



PFC Corofil C300P Intumescent Pillows friction fitted between services and firewall



PFC Corofil C300P Intumescent Pillows forming cavity barrier underneath raised access floor

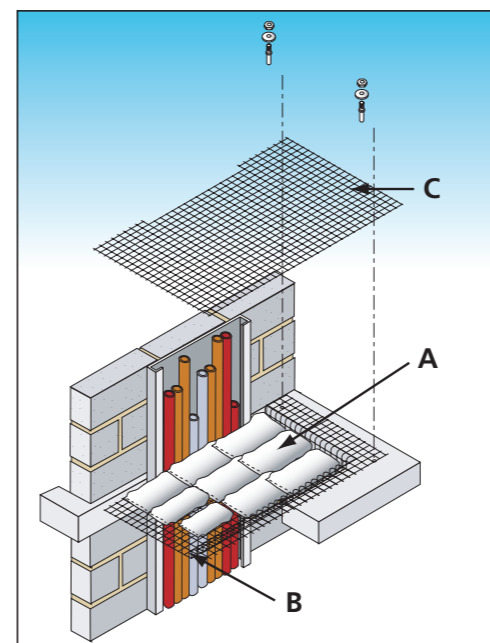
### Description

PFC Corofil C300P Intumescent Pillows are simply packed tightly in between penetrating services and the wall. In a floor, pillows are additionally supported by means of a mesh support system. (See diagram)

Under fire conditions, PFC Corofil C300P Intumescent Pillows expand to form an effective seal around service penetrations.

PFC Corofil C300P Intumescent Pillows are suitable for use with:

- Metal pipework
- Cable trays
- Electrical trunking (inside and outside)



PFC Corofil C300P Intumescent Pillows supported by mesh cage in service riser floor

### Labels

A = PFC Corofil C300P Intumescent Pillows

B = Basket of galvanised steel wire mesh 50mm x 50mm squares, wire diameter 2.5mm mesh basket mechanically fixed to floor slab

C = Wire mesh as above, overlapping basket mesh and tied together with steel wire

### Estimating Quantities

Pillows are available in four sizes and the table below outlines approximate quantities of each size to fill one m<sup>2</sup> area.

Pillow size (mm)	Approximate number
300 x 50 x 30	660 per m <sup>2</sup> opening
300 x 100 x 30	330 per m <sup>2</sup> opening
300 x 150 x 30	220 per m <sup>2</sup> opening
300 x 200 x 30	165 per m <sup>2</sup> opening

### Fire Rating

PFC Corofil C300P Intumescent Pillows will provide 4 hours' fire integrity and 2 hours' insulation rating as tested in accordance with BS476 Part 20.

### Specification

Install PFC Corofil C300P Intumescent Pillows to provide up to 4 hours rating where services pass through fire rated walls and floors. Installation to be fully in accordance with manufacturer's instructions.

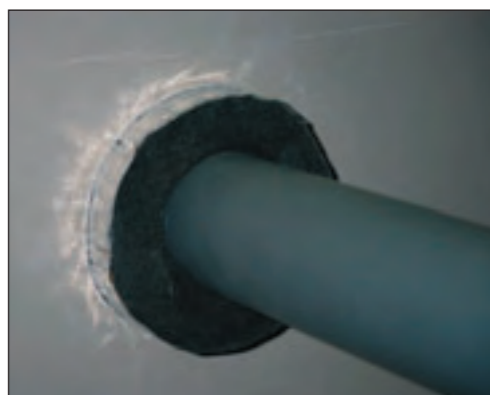
### Technical Information

If you require any further technical information or help, please telephone **0208 391 0533** or email: [sales@pfc-corofil.com](mailto:sales@pfc-corofil.com). For further information relating to the installation and Health & Safety, please refer to the C300P Intumescent Pillow Installation Instructions.

### Product Codes

F02927	Fire Pillow 300 x 50 x 30mm
F02928	Fire Pillow 300 x 100 x 30mm
F02929	Fire Pillow 300 x 150 x 30mm
F02930	Fire Pillow 300 x 200 x 30mm

## Insulated Fire Sleeves



Fire stopping of insulated pipe penetrations

For insulated pipes it is normally necessary to remove the insulation at point of penetration to enable standard pipe collars to close plastic pipes. This removal of insulation results in condensation on cold pipes and loss of thermal performance on hot pipes.

Insulated Fire Sleeves avoids this problem by providing both fire stopping and thermal insulation.

PFC Corofil Fire Sleeves are intended for use on Copper, Mild Steel, Polypropylene and PVC pipes.

### Service Temperatures:

Insulated Fire Sleeves are used to fire stop pipe work operating at temperatures between 0°C and 180°C. At low temperatures, care should be taken to maintain the vapour barrier.

### Acoustics

The use of Insulated Pipe Sleeves can considerably reduce the noise emission from noisy pipework. For higher standards of acoustic insulation please refer to our technical department.

### Compatibility

These are compatible with most materials with which it is likely to come into contact in normal building and industrial applications.

Precautions should be taken when insulating austenitic stainless steel, regardless of insulation type.

### Biological

Insulation used in our sleeves offers no sustenance to vermin and does not encourage the growth of fungi, moulds or bacteria.

### Technical Information

If you require any further technical information or help, please telephone **0208 391 0533** or email: [sales@pfc-corofil.com](mailto:sales@pfc-corofil.com). For further information relating to the installation and Health & Safety, please refer to the Insulated Fire Sleeve Installation Instructions.

### Product Codes

Code	Size	up to 2 hours*
M96430	17mm	
M96431	21mm	
M96432	27mm	
M96433	34mm	
M96434	42mm	
M96435	48mm	
M96436	54mm	
M96437	60mm	

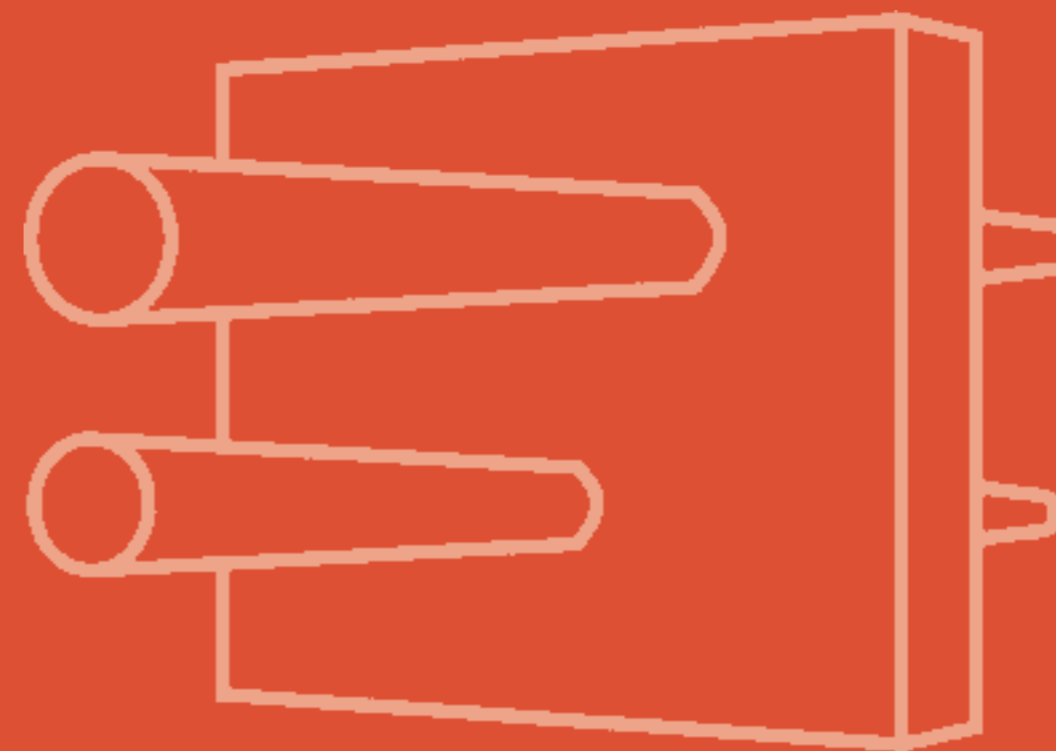
Code	Size	up to 4 hours*
M96438	67mm	
M96439	76mm	
M96440	80mm	
M96441	89mm	
M96442	108mm	
M96443	114mm	
M96444	140mm	
M96445	169mm	

\* Subject to application

[www.pfc-corofil.com](http://www.pfc-corofil.com)

## Plastic Pipework

Products developed to fill the holes left in compartment floors and walls left by plastic pipes and trunking burning out.



# Firestop Collars

PFC Corofil Firestop Collars provide a simple and effective method of firestopping plastic pipework where it passes through compartment walls and floors.

Tested to BS476 Part 20, Firestop Collars will provide up to 4 hours' fire protection.

- Simple to install
- Water resistant
- Maintenance free
- Available to suit pipe sizes ranging from 55 to 355mm O.D.

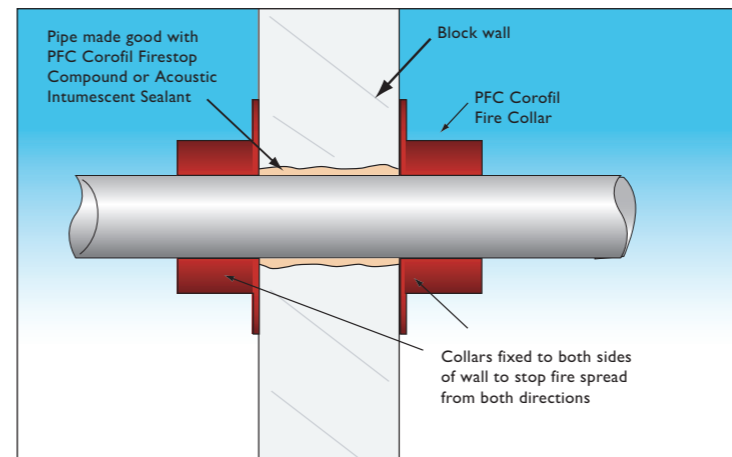


PFC Corofil Firestop Collars

## Description

PFC Corofil Firestop Collars consist of a powder coated steel sleeve containing a flexible graphite based intumescent liner manufactured to suit the pipework to be firestopped. Integral toggles are opened up and the collar is simply fitted around the plastic pipe. The toggles are closed and the collar is pushed flush to the surface of the wall or underside of floor. The collar is then securely fastened to the structure by means of fire resistant fixings threaded through fixing tabs. Any gaps of up to 10mm wide around the pipework should be filled with PFC Corofil Acoustic Intumescent Sealant. For gaps greater than 10mm wide PFC Corofil Firestop Compound can be used.

Under fire conditions the intumescent material swells filling the void left by the burnt out plastic.



PFC Corofil Firestop Collars fixed to both sides of wall

## Fire Rating

For fire rating by product size, please refer to the product code section.

## Specification

Install PFC Firestop Collars to provide up to 1,2,3 or 4 hours' fire protection to all plastic pipework. Installation to be fully in accordance with manufacturer's instructions. See below for contact details.

## Technical Information

If you require any further technical information or help, please telephone **0208 391 0533** or email: [sales@pfc-corofil.com](mailto:sales@pfc-corofil.com). For further information relating to the installation and Health & Safety, please refer to the Firestop Collar Installation Instructions.

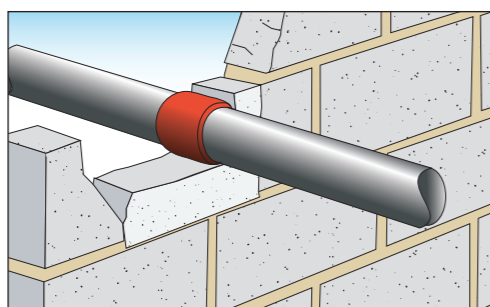
## Product Codes

Size (mm)	4 Hour Code	2 Hour Code
30/32	F02789	F02773
38/40	F02790	F02774
55	F02791	F02775
63	F02792	F02776
75	F02793	F02777
82	F02794	F02778
90	F02795	F02779
110	F02796	F02780
125	F02797	F02781
160	F02798	F02782
200		F02783
225		F02784
250		F02785
275		F02786
300		F02787
315		F02788

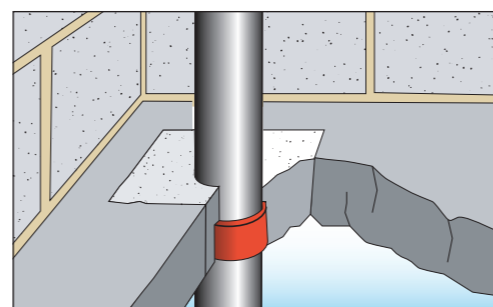
## Intumescent Pipe Wraps

PFC Corofil Intumescent Pipe Wraps offer a simple and more economic alternative to Firestop collars for firestopping plastic pipework and electrical trunking in walls and floors. Tested to BS476 Part 20, Intumescent Pipe Wraps will provide up to 4 hours' fire protection.

- Simple to install
- No mechanical fixings
- Water resistant
- Maintenance free
- Available to suit pipe sizes up to 160mm O.D.
- Available to fit most electrical trunking sizes



PFC Corofil Intumescent Pipe Wrap sealed into compartment wall with PFC Corofil Firestop Compound



PFC Corofil Intumescent Pipe Wrap sealed into compartment floor using PFC Corofil Firestop Compound

### Description

Pipe Wraps comprise layers of a graphite based intumescent sheet encapsulated in a polythene sheath. The product is manufactured to be wrapped around the outside diameter of the pipework or trunking and is secured by means of a self-adhesive strip. The Intumescent Pipe Wrap is then positioned within the compartment wall or floor so that the edge of the product is left exposed at the face of the wall or soffit.

The Intumescent Pipe Wrap is then sealed into the structure with PFC Corofil Firestop Compound.

Under fire conditions, the intumescent material expands against the structure and fills the void left by the burnt out plastic.

For walls it is necessary to fit two wraps to prevent the spread of fire from both sides of the wall.

### Fire Rating

For fire rating by product size, please refer to the product code section.

### Specification

Install PFC Corofil Intumescent Pipe Wraps to provide up to 4 hours' fire protection to all plastic pipework and electrical trunking where they pass through fire rated walls and floors. Installation to be fully in accordance with manufacturer's instructions. See below for contact details.

### Technical Information

If you require any further technical information or help, please telephone **0208 391 0533** or email: [sales@pfc-corofil.com](mailto:sales@pfc-corofil.com). For further information relating to the installation and Health & Safety, please refer to the Intumescent Pipe Wrap Installation Instructions.

### Product Codes

Size (mm)	4 Hour Code	2 Hour Code
55	F02916	F02909
63	F02917	F02910
75	F02918	F02911
82	F02919	F02912
110	F02920	F02913
125	F02921	F02914
160	F02922	F02915

## Prestigious Contracts

PFC Corofil Fire Protection Products are helping to maintain the safety of public, private, commercial and historic buildings worldwide. Listed below are a selection of some of the projects that have been completed using our products.

### Royal Palaces

- Balmoral Castle
- Buckingham Palace
- Clarence House - London
- Hampton Court Palace
- Kensington Palace
- St. James Palace - London
- Windsor Castle
- Tower of London
- Frogmore House - Windsor

### Government Buildings

- Royal Mint - London
- Guys Hospital - London
- Queen Mary's Hospital
- Crown Courts - Somerset
- West Middlesex Hospital
- Luton & Dunstable Hospital
- Fenton House - Hampstead
- New Cross Hospital
- Central Middlesex
- The Royal Hospital
- St Pancras Station - London

### Historic Buildings

- Uppark House - Hampshire
- Calke Abbey - Derbyshire
- Knole House - Sevenoaks
- The Pantiles - Tunbridge Wells
- Eton College - Berkshire
- Petworth House - Sussex
- St. Dunstan's College

### Hotels & Residential Property

- Suncliffe Hotel - Bournemouth
- Hilton Hotels
- Flats in Hyde Park - London
- Flats in Kensington - London
- Chelsea Bridge Wharf
- St. Dunstan's College
- Breadsall Priory - Derby
- Middle Temple - London

### Commercial Buildings

- Morgan Grenfell Bank.
- IKEA Stores
- Tesco, Sainsbury's, Asda, and Safeway's
- Supermarkets
- Trafford Centre - Manchester
- The Bull Ring - Birmingham.
- BNFL Sellafield
- Bluewater Park - Kent
- Hewlett Packard - Bristol
- Intel - Ireland
- Heathrow Terminal 5 - London
- 30 St Mary Axe (The Gherkin) - London

### Sports Stadiums

- Olympic Stadium - Sydney
- Olympic Stadium - Athens
- Commonwealth Games Stadium - Manchester
- Westham Football Stadium
- The Millennium Stadium - Cardiff
- Arsenal Football Club - London
- Chelsea Football Club - London



PFC Corofil products are available to order from your local:



Tel: 0870 162 2557  
www.draincenter.co.uk



Tel: 01926 705 237  
www.pipecenter.co.uk



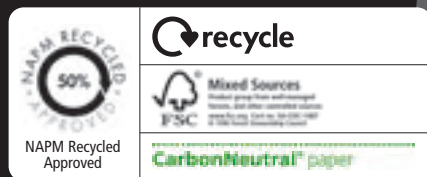
Tel: 0870 162 8557  
www.plumbcenter.co.uk

For all PFC Corofil information:

Tel: +44 (0)208 391 0533

E-mail: [sales@pfc-corofil.com](mailto:sales@pfc-corofil.com)

Visit our website at: [www.pfc-corofil.com](http://www.pfc-corofil.com)



A **WOLSELEY** Company

Ref No: 6181  
Catalogue Number: Y98071

Whilst every care has been taken to ensure that the information included in this document was accurate at the time of printing, we reserve the right to change specification at anytime. The photography reproduced in this publication are within the constraints of the printing process and are NOT to be used for matching purposes. E&OE.