

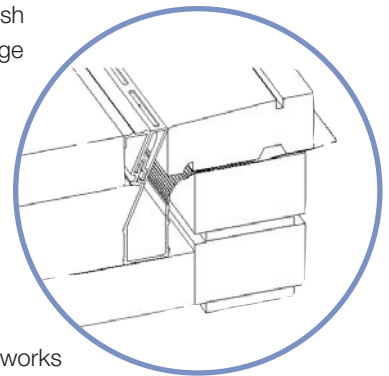
5

Surface Finish

Lay the paving to finish flush with the top edge of the channel.

Alternatively, the top edge of the channel provides a guide, to cast a wet concrete pathway against.

Remove the clear protective film when works are complete.

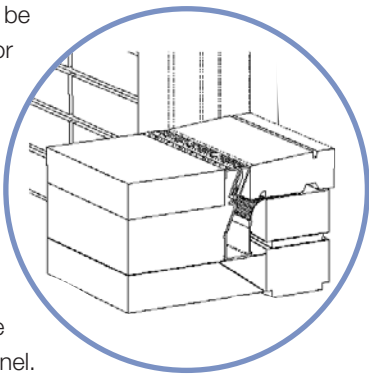


6

Alternative Installation

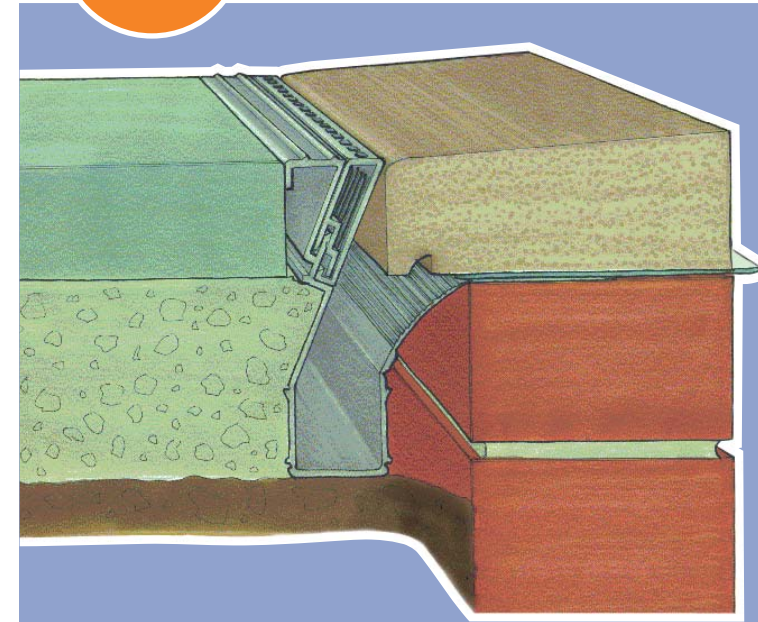
Threshold Channel can be positioned after the door is installed. In this situation the flexible strip will require trimming to fit under the threshold supported by a cement mortar fillet forming a smooth curve falling back to the channel.

All other aspects of installation are as previously illustrated.



7

Completed Installation



Further Information and Guidance

If you require any further expert guidance relating to the installation of the OSMA Threshold Plastic Channel Drainage System, please contact any of the following:

Customer Services: 01249 766611
Technical Design: 01249 766655
E-mail: info@wavin.co.uk

www.wavin.co.uk



Wavin Plastics Limited
Parsonage Way
Chippenham
Wiltshire SN15 5PN
Tel: 01249 766699
Fax: 01249 766671
www.wavin.co.uk

W0038/01

OSMA Threshold

Plastic Channel Drainage



1

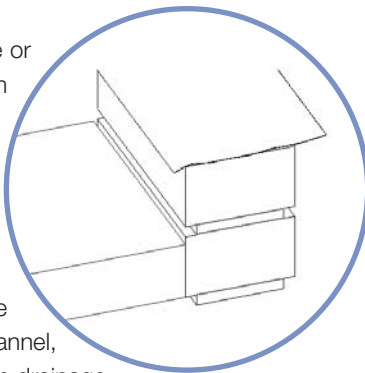
Site Preparation**Introduction**

OSMA Threshold, Plastic Channel Drainage System has been designed for quick and easy installation. No special tools are required. Just follow this simple step-by-step guide.

Create a solid level base for the channel with either dry concrete or mortar, allowing approx. 127mm for the overall height from the top of the assembly to its base.

Optional Drain Connection

Install a 110mm diameter surface water drainage run to the desired location at a suitable depth, to accommodate the channel, the outlet adaptor and a 110mm drainage connector (4D298).



2

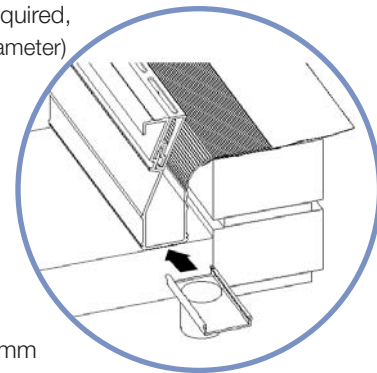
Drain Connection & Alignment

If a drainage connection is required, safely make a hole (40mm diameter) in the channel then slide the Outlet Adaptor (100OC520) along the channel to the outlet position.

A Jointing Piece (100OC530) to join two or more channels together is available. To enable longer runs than the standard 1200mm to be made.

Fit both End Plates (100OC560).

Position and align the top edge of the channel, slightly lower than the nosing on the front of the threshold. Insert the outlet adaptor into the drainage connector.



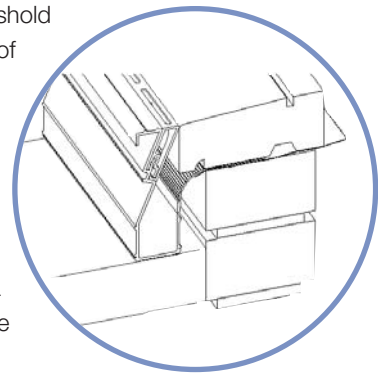
3

Damp Proof Course Detailing

Fold the flexible side of Threshold Channel onto the Damp Proof Course (DPC), to collect any water from the drip rebate directing it into the channel.

The door threshold can now be fitted when required.

If the door is to be fitted at a later stage then care must be taken to protect the channel from damage.



4

Sub-Base Construction

Form the approach to the entrance by laying the required sub-base up to the channel, leaving sufficient space for the surface finish. Any final adjustments should be done at this time.

